

LLAS1 Photo Controls

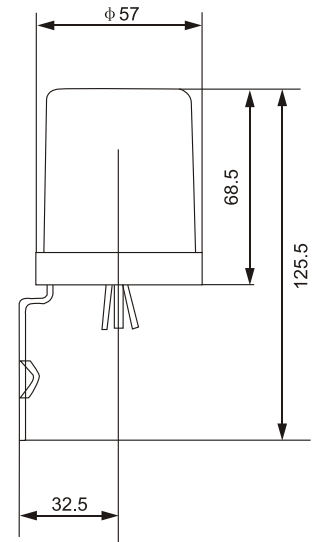


LLAS1 3A,6A,10A

LLAS1-T

- ⊙ Thermal photo control
- ⊙ Rated voltage: 120V/220V/~/ (applicable 110V,127V,230V,250V)
- ⊙ Rated frequency: 50/60Hz
- ⊙ Rated current: 3A, 6A,10A 15A
- ⊙ Load: 150-2000W TUNGSTEN
- ⊙ Light level: on/off; 10-16LUX/50-80LUX
- ⊙ Acting time: 30" ~180"
- ⊙ Temperature range: -40°C ~+70°C
- ⊙ Electrical life: >6500CYCLES

Exterior dimension(mm)



LLAS1-E

- ⊙ Electronic Photo Control
- ⊙ Rated voltage: 120/240V~/ (applicable 105-250V~/)
- ⊙ Rated frequency: 50/60Hz
- ⊙ Rated current: 3A, 6A,10A 15A
- ⊙ Load: 150-2000W TUNGSTEN
- ⊙ Light level: ON/OFF; 10-16LUX/20-30LUX or at customers'option
- ⊙ Acting time: <15"
- ⊙ Temperature range: -40°C ~+70°C
- ⊙ Electrical life: >5000CYCLES

LLAS2 Photo Controls

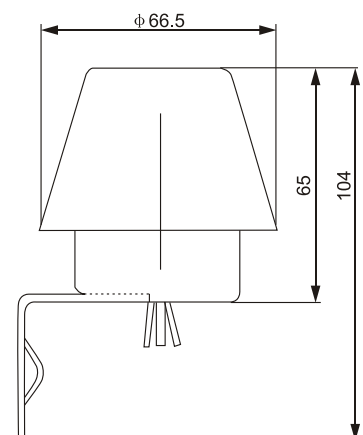


LLAS2 10A

LLAS2-T

- ⊙ Thermal photo control
- ⊙ Rated voltage: 120V/220V/~/ (applicable 110V,127V,230V,250V)
- ⊙ Rated frequency: 50/60Hz
- ⊙ Rated current: 10A
- ⊙ Load: 1000-1600W TUNGSTEN
- ⊙ Light level: on/off; 10-16LUX/50-80LUX
- ⊙ Acting time: 30" ~180"
- ⊙ Temperature range: -40°C ~+70°C
- ⊙ Electrical life: >6500CYCLES

Exterior dimension(mm)



LLAS2-E

- ⊙ Electronic Photo Control
- ⊙ Rated voltage: 120/240V~/ (applicable 105-250V~/)
- ⊙ Rated frequency: 50/60Hz
- ⊙ Rated current: 10A
- ⊙ Load: Load: 1000-1600W TUNGSTEN
- ⊙ Light level: ON/OFF; 10-16LUX/20-30LUX or at customers'option
- ⊙ Acting time: <15"
- ⊙ Temperature range: -40°C ~+70°C
- ⊙ Electrical life: >5000CYCLES